

MUNISIPALITEIT  
VAN  
PRINS ALBERT



MUNICIPALITY  
OF  
PRINCE ALBERT

Rig alle korrespondensie aan:  
DIE MUNISIPALE BESTUURDER  
Privaatsak X53,  
Prins Albert, 6930

Address all correspondence to:  
THE MUNICIPAL MANAGER  
Private Bag X53,  
Prince Albert, 6930

E-Pos: [scm@pamun.gov.za](mailto:scm@pamun.gov.za) E-Mail:  
Tel: +27 23 541 1036, Fax: +27 23 541 1035

Dear Sir / Madam

**REQUEST FOR FORMAL WRITTEN PRICE QUOTATIONS: NR 120/2020:  
THE CONSTRUCTION OF A 30/19MPA CONCRETE BASE FOOTING FOR THE  
ERECTION OF A 20M MID-HINGE MAST IN MOUNTAIN VIEW, LEEU-GAMKA,  
FOR THE PRINCE ALBERT MUNICIPALITY.**

Kindly furnish me with a written quotation for the supply of the goods/services as detailed in the enclosed schedule.

The quotation must be submitted on the letterhead of your business and **e-mailed** not later than 02 June 2020 to [scm@pamun.gov.za](mailto:scm@pamun.gov.za).

---

The following conditions will apply:

- Price(s) quoted must be valid for at least thirty (30) days from date of your offer.
- Price(s) quoted must be firm and must be inclusive of VAT.
- This quotation will be evaluated in terms of the 80/20 preference point system as prescribed in the Preferential Procurement Policy Framework Act (No 5 of 2000) and for this purpose the MBD 6.1 and MBD 6.2 (**Local content**) form must be scrutinized, completed and submitted together with your quotation.
- **NB: No quotations will be considered from persons in the service of the state.** Complete the MDB 4 form.
- **No awards will be made to persons whose tax affairs are not in order.** Please attach a valid tax clearance certificate.
- **To combat abuse of the Supply Chain process, the MDB 8 form must also be completed.**
- **To prevent collusion the MDB 9 form must be completed.**
- **Bidders must be registered at the Construction Industry Development Board (CIDB) in order for bids to be responsive.**

The forms may be written or typed and scanned.

Failure to comply with these conditions may invalidate your offer.

Should your offer be accepted the contract will be governed by the general Conditions of contract issued by National Treasury. You will also be required to register on the Central Supplier Database. ([www.csd.gov.za](http://www.csd.gov.za)). Registration is free of charge and can be done online.

Please contact Ashley America at 023 5411 320 or [ashley@pamun.gov.za](mailto:ashley@pamun.gov.za) should you have any questions.

Please note the MDB forms are available on the municipality's website at [www.pamun.gov.za](http://www.pamun.gov.za) or can be requested from the Finance department.

Yours faithfully

**A. VORSTER**  
**MUNICIPAL MANAGER**  
**26 MAY 2020**

MUNISIPALITEIT  
VAN  
PRINS ALBERT



MUNICIPALITY  
OF  
PRINCE ALBERT

Rig alle korrespondensie aan:  
DIE MUNISIPALE BESTUURDER  
Privaatsak X53, Prins Albert, 6930

Address all correspondence to:  
THE MUNICIPAL MANAGER  
Private Bag X53, Prince Albert, 6930

E-Pos / E-Mail: [scm@pamun.gov.za](mailto:scm@pamun.gov.za)

Tel: 023-541 1036, Fax: 023-541 1035

**CHECKLIST FOR COMPLETENESS OF BIDDING DOCUMENTATION**

The bidder must ensure that the following checklist is completed, all necessary documentaton is attached to this bid and that all declarations are signed:

Mark with "X" where applicable

| ITEMS TO BE CHECKED                                                                                                                                                                                                                                                                          | YES | NO | COMMENTS |
|----------------------------------------------------------------------------------------------------------------------------------------------------------------------------------------------------------------------------------------------------------------------------------------------|-----|----|----------|
| 1. Valid and original Tax Clearance Certificate, attached to bid document (MBD2 ).<br>- <b>An original valid Tax Clearance Certificate must be attached to the bid document. Bidders must indicate their pin as provided by SARS to confirm validity of their Tax Clearance Certificate.</b> |     |    |          |
| 2. Adhering to the price instructions (MBD 3.1)                                                                                                                                                                                                                                              |     |    |          |
| 3. Attached a quotation/pricing schedule on the official letterhead of the bidder's company.                                                                                                                                                                                                 |     |    |          |
| 4. Completed and signed declaration of interest (MBD4).                                                                                                                                                                                                                                      |     |    |          |
| 5. Preference points claimed and signed declarations (MBD 6.1), where applicable.                                                                                                                                                                                                            |     |    |          |
| 6. Completed and signed declaration certificate for Local production and content (MBD 6.2), where applicable.                                                                                                                                                                                |     |    |          |
| 7. Signed declaration of the bidder's past Supply Chain Management practices (MBD 8)                                                                                                                                                                                                         |     |    |          |
| 8. Completed and signed Certificate of Independent Bid Determination (MBD 9).                                                                                                                                                                                                                |     |    |          |
| 9. Attached a valid B-BBEE Certificate or Sworn Affidavit, where applicable.                                                                                                                                                                                                                 |     |    |          |
| 10. Attached registration at Construction Industry Development Board (CIDB), where applicable.                                                                                                                                                                                               |     |    |          |
| 11. Attached Central Supplier Database (CSD) report.                                                                                                                                                                                                                                         |     |    |          |

I, THE UNDERSIGNED (FULL NAME).....  
CERTIFY THAT THE INFORMATION FURNISHED ON THIS CHECKLIST IS TRUE AND CORRECT.

.....  
Signature

.....  
Date

.....  
Position

.....  
Name

## TAX CLEARANCE REQUIREMENTS

IT IS A CONDITION OF AN AWARD THAT -

1. The taxes of the successful awardee must be in order, or that satisfactory arrangements have been made with the Receiver of Revenue to meet his / her tax obligations.
2. The attached form "Information for Application for Tax Clearance Certificate", must be completed in all respects and returned to the municipality. **If you are in possession of a valid tax clearance certificate please attach a copy to speed up the process**
3. In bids where Consortia / Joint Ventures / Sub-contractors are involved each party must submit a separate Tax Clearance Certificate. Copies of the Application for Tax Clearance Certificates are available at any Receiver' s Office.

## INFORMATION FOR APPLICATION FOR TAX CLEARANCE CERTIFICATE

1. Name of taxpayer: .....
2. Trade name: .....
3. Identification number: (If natural person) 

|  |  |  |  |  |  |  |  |  |  |  |  |  |  |  |  |  |  |  |  |  |
|--|--|--|--|--|--|--|--|--|--|--|--|--|--|--|--|--|--|--|--|--|
|  |  |  |  |  |  |  |  |  |  |  |  |  |  |  |  |  |  |  |  |  |
|--|--|--|--|--|--|--|--|--|--|--|--|--|--|--|--|--|--|--|--|--|
4. Company / Close Corporation registration number: 

|  |  |  |  |  |  |  |  |  |  |  |  |  |  |  |  |  |  |  |  |  |
|--|--|--|--|--|--|--|--|--|--|--|--|--|--|--|--|--|--|--|--|--|
|  |  |  |  |  |  |  |  |  |  |  |  |  |  |  |  |  |  |  |  |  |
|--|--|--|--|--|--|--|--|--|--|--|--|--|--|--|--|--|--|--|--|--|
5. Income tax reference number: 

|  |  |  |  |  |  |  |  |  |  |  |  |  |  |  |  |  |  |  |  |  |
|--|--|--|--|--|--|--|--|--|--|--|--|--|--|--|--|--|--|--|--|--|
|  |  |  |  |  |  |  |  |  |  |  |  |  |  |  |  |  |  |  |  |  |
|--|--|--|--|--|--|--|--|--|--|--|--|--|--|--|--|--|--|--|--|--|
6. VAT registration number (if applicable): 

|  |  |  |  |  |  |  |  |  |  |  |  |  |  |  |  |  |  |  |  |  |
|--|--|--|--|--|--|--|--|--|--|--|--|--|--|--|--|--|--|--|--|--|
|  |  |  |  |  |  |  |  |  |  |  |  |  |  |  |  |  |  |  |  |  |
|--|--|--|--|--|--|--|--|--|--|--|--|--|--|--|--|--|--|--|--|--|
7. PAYE employer's registration number (if applicable): 

|  |  |  |  |  |  |  |  |  |  |  |  |  |  |  |  |  |  |  |  |  |
|--|--|--|--|--|--|--|--|--|--|--|--|--|--|--|--|--|--|--|--|--|
|  |  |  |  |  |  |  |  |  |  |  |  |  |  |  |  |  |  |  |  |  |
|--|--|--|--|--|--|--|--|--|--|--|--|--|--|--|--|--|--|--|--|--|

**If the taxpayer is not a natural person please also complete the following information**

1. Full names of public officer / representative vendor / employer .....
2. Identification number: 

|  |  |  |  |  |  |  |  |  |  |  |  |  |  |  |  |  |  |  |  |  |
|--|--|--|--|--|--|--|--|--|--|--|--|--|--|--|--|--|--|--|--|--|
|  |  |  |  |  |  |  |  |  |  |  |  |  |  |  |  |  |  |  |  |  |
|--|--|--|--|--|--|--|--|--|--|--|--|--|--|--|--|--|--|--|--|--|

MUNISIPALITEIT  
VAN  
PRINS ALBERT



MUNICIPALITY  
OF  
PRINCE ALBERT

Rig alle korrespondensie  
aan:  
DIE MUNISIPALE BESTUURDER  
Privaatsak X53, Prins Albert, 6930  
E-Pos / E-Mail: [scm@pamun.gov.za](mailto:scm@pamun.gov.za)

Address all correspondence  
to:  
THE MUNICIPAL MANAGER  
Private Bag X53, Prince Albert, 6930  
Tel: 023-541 1320, Fax: 023-541 1321

26 MAY 2020

**REQUEST FOR FORMAL WRITTEN PRICE QUOTATION**

**CONSTRUCTION OF A 30/19MPA CONCRETE BASE FOOTING FOR THE  
ERECTION OF A 20M MID-HINGE MAST IN MOUNTAIN VIEW, LEEU  
GAMKA, FOR THE PRINCE ALBERT MUNICIPALITY.**

*Specifications:*

| DESCRIPTION                                                                     | UNIT           | QUANTITY | UNIT RATE | TOTAL     |
|---------------------------------------------------------------------------------|----------------|----------|-----------|-----------|
| <b>TIME RELATED</b>                                                             |                |          |           |           |
| Supervision                                                                     | weeks          | 2        |           |           |
| Tools and Equipment                                                             | weeks          | 2        |           |           |
| Qualified Artisan                                                               | day            | 0        |           | RATE ONLY |
| Labour                                                                          | day            | 0        |           | RATE ONLY |
| <b>PROVISIONAL SUMS</b>                                                         |                |          |           |           |
| Allow sum for Materials Testing<br>(Concrete cubes @ 7- and 28-day<br>strength) | Psum           | 1        | R 2 000   | R 2 000   |
| <b>FIXED OBLIGATIONS</b>                                                        |                |          |           |           |
| Hoarding, signage and barricade                                                 | Psum           | 1        | R 1 000   | R 1 000   |
| <b>GENERAL EARTHWORKS</b>                                                       |                |          |           |           |
| Excavate foundation slab area for<br>footing in intermediate soil               | m <sup>3</sup> | 5.5      |           |           |
| Compaction of excavated area to<br>95% MOD AASHTO                               | m <sup>2</sup> | 6.25     |           |           |
| Backfilling to Slab footing and<br>compact to 95% MOD AASHTO                    | m <sup>3</sup> | 2.0      |           |           |
| <b>CONCRETE: SMALL WORKS</b>                                                    |                |          |           |           |
| 50mm thick blinding layer, Class<br>15/19Mpa                                    | m <sup>3</sup> | 0.5      |           |           |
| 30/19Mpa Concrete to Base Footing<br>(see Drawing No: P1217/46/BS-01c)          | m <sup>3</sup> | 3.0      |           |           |

| <b>FINISHING</b>                                                           |     |   |  |  |
|----------------------------------------------------------------------------|-----|---|--|--|
| Carting away of excess excavated material for disposal at nearest facility | sum | 1 |  |  |
| Site clearance, levelling and making good of works area                    | sum | 1 |  |  |
| <b>SUBTOTAL A</b>                                                          |     |   |  |  |
| 10% CONTINGENCIES                                                          |     |   |  |  |
| <b>SUBTOTAL B</b>                                                          |     |   |  |  |
| VAT @ 15%                                                                  |     |   |  |  |
| <b>GRAND TOTAL</b>                                                         |     |   |  |  |

**NOTE:**

- Please refer to the attached footing detail and bending schedule for the Mast Footing
- The following material required for this job will be supplied by the Prince Albert Municipality:
  - Supply and Off-loading, Hoisting and lowering of Pre-fixed reinforcement steel as indicated in the bending schedule.
  - Anchor Bolt Cage 12M24.
  - Set Plate ex 50x10-PL
  - Base Plate with gussets 500x500x20.
- Prospective Contractors may visit the site location as given in the GPS Co-ordinates at their own accord to familiarize themselves with on-site conditions.

**ADDITIONAL SPECIFICATIONS**

1. Prospective Contractors must be in a possession of at least a 1GB/1CE CIDB grading. Proof of such grading must accompany this bid.
2. Details of past similar experience and referees must be provided in the tables below along with particulars of key staff who will be employed on the contract.
3. Prospective Contractors must submit proof of ownership or be able to hire the required equipment Jackhammer, Concrete Mixer and generator if so required.
4. Prospective Contractors must provide proof of ownership or ability to hire the required masonry tools (Hand Hawks, trowels, chisels, angel grinder, etc.)
5. **Duration of construction not to exceed 14 calendar days.**





**REFERENCE RELATED TO SIMILAR EXPERIENCES**

- (a) Bidders should provide the name and contact details of at least 2 references. The references submitted must be in relation to the experience gained on projects relevant to the Scope of Works.
- (b) These references must be current/most recent and relevant to the Experience submitted.
- (c) It is the responsibility of the bidder to ensure that the details provided are correct, before submitting his quotation.
- (d) If the references are unable to validate, verify or provide information on the Experience listed, the quotation will be considered as invalid.
- (e) Details of references to be listed below or referred to as an attachment. If no information is provided the quotation will be considered as non-responsive.
- (f) References will be contacted via e-mail. If an e-mail is undelivered
- (g) The reference must respond within 48hrs per e-mail or fax.

| RELATED REFERENCES | REFERENCE NAME | TELEPHONE AND/OR CELLPHONE NUMBER | ACTIVE E-MAIL ADDRESS OR OTHER CONTACT DETAILS |
|--------------------|----------------|-----------------------------------|------------------------------------------------|
|                    |                |                                   |                                                |
|                    |                |                                   |                                                |
|                    |                |                                   |                                                |
|                    |                |                                   |                                                |
|                    |                |                                   |                                                |

**DETAILS OF KEY STAFF**

Bidders/Suppliers shall set out in the Table hereunder details of their Key Staff's experience in work of a similar nature to that for which their quotation is submitted.

A CV of the key and additional personnel, copy of their qualifications, authorisations and certification, as required, shall be attached to this schedule. The key personnel must demonstrate recent experience related to specific aspects of this project detailed in the quotation.

Attach additional pages if more space is required.

| QUALIFIED: ARTISAN CARPENTER |           |                |                            |
|------------------------------|-----------|----------------|----------------------------|
| Name                         | Job Title | Qualifications | No. of Years of Experience |
| 1.                           |           |                |                            |

**ENQUIRIES**

Ashley America (Manager: Infrastructure Services)

Office: 023 541 1036

Cell: 079 869 1342

Email: [ashley@pamun.gov.za](mailto:ashley@pamun.gov.za)

**MUNISIPALITEIT  
VAN  
PRINS ALBERT**



**MUNICIPALITY  
OF  
PRINCE ALBERT**

Rig alle korrespondensie aan:  
DIE MUNISIPALE BESTUURDER  
Privaatsak X53, Prins Albert, 6930

Address all correspondence to:  
THE MUNICIPAL MANAGER  
Private Bag X53, Prince Albert, 6930

E-Pos / E-Mail: [anneleen@pamun.gov.za](mailto:anneleen@pamun.gov.za)

Tel: 023-541 1320  
Fax: 023-541 1321

---

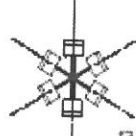
**ADDENDUM TO RFQ**

Construction of a 30/19Mpa Concrete Base Footing for the Erection of  
a 20m Mid-Hinge Mast in Mountain View, Leeu Gamka, for the Prince  
Albert Municipality.

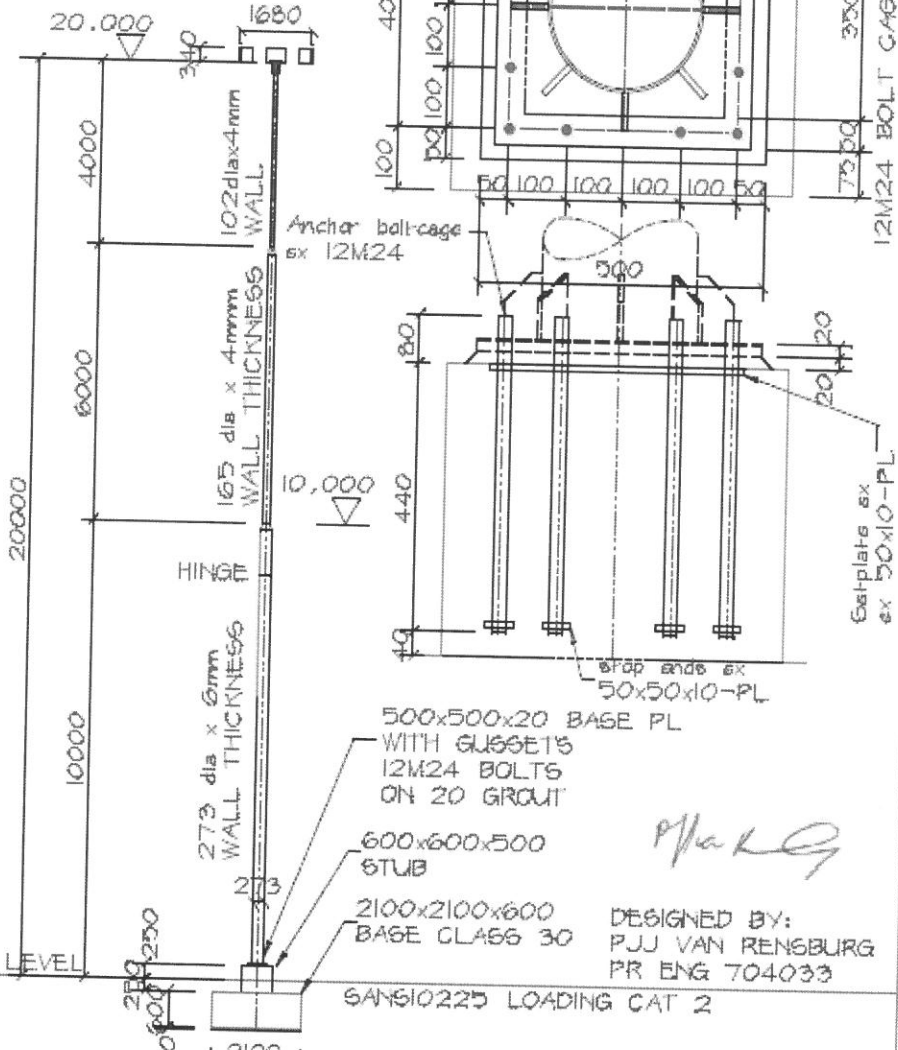
**GPS CO-ORDINATES**

- LATITUDE: -32.773133759669356
- LONGITUDE: 21.965796173171828
- ALTITUDE: 604,100

6 CO-T300-240W  
LUMINAIRE



PLAN



0,000  
▽ GROUND LEVEL

DESIGNED BY:  
PJJ VAN RENSBURG  
PR ENG 704033

GRADE 300 WA STEEL GALVANISED 1:133 ELEVATION

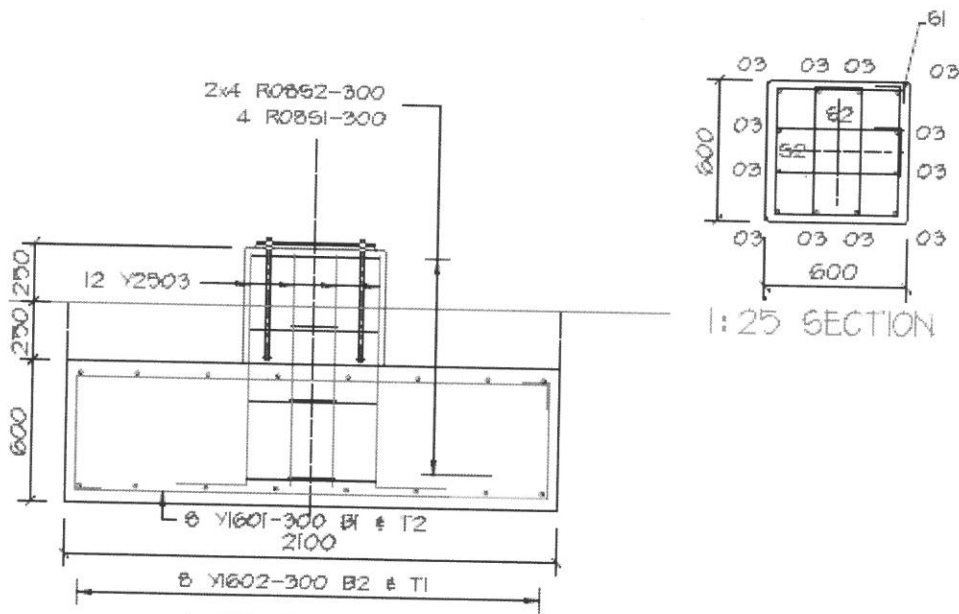
|                                                                                                                     |            |                                                             |                                                 |                                                                                                  |
|---------------------------------------------------------------------------------------------------------------------|------------|-------------------------------------------------------------|-------------------------------------------------|--------------------------------------------------------------------------------------------------|
| COPYRIGHT<br>THIS DRAWING IS THE EXCLUSIVE<br>PROPERTY OF EDD AND MAY NOT<br>BE USED WITHOUT THE WRITTEN PERMISSION |            | SCALE 1:133<br>DATE FEB 18, 2018<br>DRAWN BY PJR<br>CHECKED | DRAWING NUMBER<br><b>PI217/46/01B</b>           | REV.                                                                                             |
| REV.                                                                                                                | DATE       | BY                                                          | DETAILS                                         | Engineering Drawing & Design<br>222 Stevanton Road TEL 011 894 7890<br>E-mail: ecallend@ed.co.za |
| A                                                                                                                   | 30-05-2018 | PJR                                                         | ANCHOR BOLT CAGE AND BASE PLATE<br>DETAIL ADDED |                                                                                                  |
| B                                                                                                                   | 26-01-2017 | PJR                                                         | MAST HEIGHT NOW 20m                             | DESCRIPTION:<br>20m HINGED MAST WITH<br>6 CO-T300-240 LUMINAIRE                                  |

| ONDERDEEL<br>MEMBER |                                                                  | WAPENING<br>REINFORCEMENT         |                                                  |                 |                         |                               |                                                           |     |      |   |  |
|---------------------|------------------------------------------------------------------|-----------------------------------|--------------------------------------------------|-----------------|-------------------------|-------------------------------|-----------------------------------------------------------|-----|------|---|--|
| GETAL<br>NO.<br>OFF | M E R K<br>M A R K                                               | GETAL<br>IN ELK<br>NO. IN<br>EACH | TYPE & DIA<br>STAAFMERK<br>TYPE & DIA<br>BARMARK | TOTAAL<br>TOTAL | GRYLGESTE<br>CUT LENGTH | VORK<br>KODE<br>SHAPE<br>CODE | BUIGINGSMETINGS (S485 B2)<br>BENDING DIMENSIONS (S485 B2) |     |      |   |  |
|                     |                                                                  |                                   |                                                  |                 |                         |                               | A                                                         | B   | C    | D |  |
| 1                   | BASE-01<br>2100x2100<br>600 THICK<br>600x600<br>STUB 500<br>HIGH | 16                                | Y16 01                                           | 16              | 2800                    | 52                            | 150                                                       | 480 | 2000 |   |  |
|                     |                                                                  | 16                                | Y16 02                                           | 16              | 2800                    | 52                            | 150                                                       | 480 | 2000 |   |  |
|                     |                                                                  | 12                                | Y25 03                                           | 12              | 1300                    | 37                            | 300                                                       |     |      |   |  |
|                     |                                                                  | 4                                 | R08 61                                           | 4               | 2200                    | 60                            | 500                                                       | 500 |      |   |  |
|                     |                                                                  | 8                                 | R08 62                                           | 8               | 1700                    | 60                            | 250                                                       | 500 |      |   |  |

Total Mass: 211 kg

4 SPACERS FOR 50mm BOTTOM COVER


BASE-01: 2100\*2100\*600 WITH  
600x600x500 STUB



1:25 BASE-01

FOR FOOTING LAYOUT SEE P1217/46/01c

THIS ISSUE: 2017-02-01

|                                                                                                                                                                                                                                             |                                                                                                                           |                             |     |                 |           |
|---------------------------------------------------------------------------------------------------------------------------------------------------------------------------------------------------------------------------------------------|---------------------------------------------------------------------------------------------------------------------------|-----------------------------|-----|-----------------|-----------|
| <b>RAADGENEENDE INGENIEUR</b><br><br><b>LIEBENBERG, JENKINS &amp;</b><br><b>RAADGENEENDE INGENIEURS</b><br>TEL 012 346 2268 BUS 1152B BOX WARDLEKLA 0161 | <b>CONSULTING ENGINEER</b><br>VERBODEN INBEELDF<br>PARTNERS INCORPORATED<br><b>CONSULTING ENGINEERS</b><br>WARDLEKLA 0161 | DITWERP                     | PVR | DATUM           | FEB 2017  |
|                                                                                                                                                                                                                                             |                                                                                                                           | GETEKEN                     | PVR | NAGESIEN        | PVR       |
| <b>BESKRYWING</b><br>20m HINGED MAST WITH<br>6 CO-T300-240W LUMINAIRES<br>BASE REBAR                                                                                                                                                        |                                                                                                                           | <b>DESCRIPTION</b>          |     | TEK. NO:        | DRWG. NR: |
|                                                                                                                                                                                                                                             |                                                                                                                           |                             |     | P1217/46/BS-01c |           |
|                                                                                                                                                                                                                                             |                                                                                                                           | TEK. NAAM: DRG. NAME:       |     |                 |           |
|                                                                                                                                                                                                                                             |                                                                                                                           | REKENAAR KAT. COMPUTER CAT. |     | DR46-BS01c      |           |

## MBD 4

## DECLARATION OF INTEREST

1. No bid will be accepted from persons in the service of the state<sup>1</sup>.
2. Any person, having a kinship with persons in the service of the state, including a blood relationship, may make an offer or offers in terms of this invitation to bid. In view of possible allegations of favouritism, should the resulting bid, or part thereof, be awarded to persons connected with or related to persons in service of the state, it is required that the bidder or their authorised representative declare their position in relation to the evaluating/adjudicating authority.
- 3 **In order to give effect to the above, the following questionnaire must be completed and submitted with the bid.**
  - 3.1 Full Name of bidder or his or her representative:.....
  - 3.2 Identity Number: .....
  - 3.3 Position occupied in the Company (director, trustee, hareholder<sup>2</sup>):.....
  - 3.4 Company Registration Number: .....
  - 3.5 Tax Reference Number:.....
  - 3.6 VAT Registration Number: .....
  - 3.7 The names of all directors / trustees / shareholders members, their individual identity numbers and state employee numbers must be indicated in paragraph 4 below.
  - 3.8 Are you presently in the service of the state? **YES / NO**
    - 3.8.1 If yes, furnish particulars. ....

<sup>1</sup>MSCM Regulations: "in the service of the state" means to be –

- (a) a member of –
  - (i) any municipal council;
  - (ii) any provincial legislature; or
  - (iii) the national Assembly or the national Council of provinces;
- (b) a member of the board of directors of any municipal entity;
- (c) an official of any municipality or municipal entity;
- (d) an employee of any national or provincial department, national or provincial public entity or constitutional institution within the meaning of the Public Finance Management Act, 1999 (Act No.1 of 1999);
- (e) a member of the accounting authority of any national or provincial public entity; or
- (f) an employee of Parliament or a provincial legislature.

<sup>2</sup> Shareholder" means a person who owns shares in the company and is actively involved in the management of the company or business and exercises control over the company.

3.9 Have you been in the service of the state for the past twelve months? ..... **YES / NO**

3.9.1 If yes, furnish particulars.....  
.....  
.....

3.10 Do you have any relationship (family, friend, other) with persons in the service of the state and who may be involved with the evaluation and or adjudication of this bid? ..... **YES / NO**

3.10.1 If yes, furnish particulars.  
.....  
.....

3.11 Are you, aware of any relationship (family, friend, other) between any other bidder and any persons in the service of the state who may be involved with the evaluation and or adjudication of this bid? ..... **YES / NO**

3.11.1 If yes, furnish particulars  
.....  
.....

3.12 Are any of the company's directors, trustees, managers, principle shareholders or stakeholders in service of the state? ..... **YES / NO**

3.12.1 If yes, furnish particulars.  
.....  
.....

3.13 Are any spouse, child or parent of the company's directors trustees, managers, principle shareholders or stakeholders in service of the state? ..... **YES / NO**

3.13.1 If yes, furnish particulars.  
.....  
.....

3.14 Do you or any of the directors, trustees, managers, principle shareholders, or stakeholders of this company have any interest in any other related companies or business whether or not they are bidding for this contract. ..... **YES / NO**

3.14.1 If yes, furnish particulars:  
.....  
.....

4. Full details of directors / trustees / members / shareholders.

| Full Name | Identity Number | State Employee Number |
|-----------|-----------------|-----------------------|
|           |                 |                       |
|           |                 |                       |
|           |                 |                       |
|           |                 |                       |
|           |                 |                       |
|           |                 |                       |
|           |                 |                       |
|           |                 |                       |
|           |                 |                       |
|           |                 |                       |

.....  
**Signature**

.....  
**Date**

.....  
**Capacity**

.....  
**Name of Bidder**



**PREFERENCE POINTS CLAIM FORM IN TERMS OF THE PREFERENTIAL  
PROCUREMENT REGULATIONS 2017**

This preference form must form part of all bids invited. It contains general information and serves as a claim form for preference points for Broad-Based Black Economic Empowerment (B-BBEE) Status Level of Contribution

**NB: BEFORE COMPLETING THIS FORM, BIDDERS MUST STUDY THE GENERAL CONDITIONS, DEFINITIONS AND DIRECTIVES APPLICABLE IN RESPECT OF B-BBEE, AS PRESCRIBED IN THE PREFERENTIAL PROCUREMENT REGULATIONS, 2017.**

**1. GENERAL CONDITIONS**

1.1 The following preference point systems are applicable to all bids:

- the 80/20 system for requirements with a Rand value of up to R50 000 000 (all applicable taxes included); and
- the 90/10 system for requirements with a Rand value above R50 000 000 (all applicable taxes included).

1.2

- a) The value of this bid is estimated to *exceed/not exceed* R50 000 000 (all applicable taxes included) and therefore the ..... preference point system shall be applicable; or
- b) Either the 80/20 or 90/10 preference point system will be applicable to this tender (*delete whichever is not applicable for this tender*).

1.3 Points for this bid shall be awarded for:

- (a) Price; and
- (b) B-BBEE Status Level of Contributor.

1.4 The maximum points for this bid are allocated as follows:

|                                                          | <b>POINTS</b> |
|----------------------------------------------------------|---------------|
| <b>PRICE</b>                                             |               |
| <b>B-BBEE STATUS LEVEL OF CONTRIBUTOR</b>                |               |
| <b>Total points for Price and B-BBEE must not exceed</b> | <b>100</b>    |

1.5 Failure on the part of a bidder to submit proof of B-BBEE Status level of contributor together with the bid, will be interpreted to mean that preference points for B-BBEE status level of contribution are not claimed.

1.6 The purchaser reserves the right to require of a bidder, either before a bid is adjudicated or at any time subsequently, to substantiate any claim in regard to preferences, in any manner required by the purchaser.

## 2. DEFINITIONS

- (a) **“B-BBEE”** means broad-based black economic empowerment as defined in section 1 of the Broad-Based Black Economic Empowerment Act;
- (b) **“B-BBEE status level of contributor”** means the B-BBEE status of an entity in terms of a code of good practice on black economic empowerment, issued in terms of section 9(1) of the Broad-Based Black Economic Empowerment Act;
- (c) **“bid”** means a written offer in a prescribed or stipulated form in response to an invitation by an organ of state for the provision of goods or services, through price quotations, advertised competitive bidding processes or proposals;
- (d) **“Broad-Based Black Economic Empowerment Act”** means the Broad-Based Black Economic Empowerment Act, 2003 (Act No. 53 of 2003);
- (e) **“EME”** means an Exempted Micro Enterprise in terms of a code of good practice on black economic empowerment issued in terms of section 9 (1) of the Broad-Based Black Economic Empowerment Act;
- (f) **“functionality”** means the ability of a tenderer to provide goods or services in accordance with specifications as set out in the tender documents.
- (g) **“prices”** includes all applicable taxes less all unconditional discounts;
- (h) **“proof of B-BBEE status level of contributor”** means:
  - 1) B-BBEE Status level certificate issued by an authorized body or person;
  - 2) A sworn affidavit as prescribed by the B-BBEE Codes of Good Practice;
  - 3) Any other requirement prescribed in terms of the B-BBEE Act;
- (i) **“QSE”** means a qualifying small business enterprise in terms of a code of good practice on black economic empowerment issued in terms of section 9 (1) of the Broad-Based Black Economic Empowerment Act;
- (j) **“rand value”** means the total estimated value of a contract in Rand, calculated at the time of bid invitation, and includes all applicable taxes;

## 3. POINTS AWARDED FOR PRICE

### 3.1 THE 80/20 OR 90/10 PREFERENCE POINT SYSTEMS

A maximum of 80 or 90 points is allocated for price on the following basis:

**80/20**

or

**90/10**

$$P_s = 80 \left( 1 - \frac{P_t - P_{\min}}{P_{\min}} \right) \quad \text{or} \quad P_s = 90 \left( 1 - \frac{P_t - P_{\min}}{P_{\min}} \right)$$

Where

$P_s$  = Points scored for price of bid under consideration

$P_t$  = Price of bid under consideration

$P_{\min}$  = Price of lowest acceptable bid

## 4. POINTS AWARDED FOR B-BBEE STATUS LEVEL OF CONTRIBUTOR

- 4.1 In terms of Regulation 6 (2) and 7 (2) of the Preferential Procurement Regulations, preference points must be awarded to a bidder for attaining the B-BBEE status level of contribution in accordance with the table below:

| B-BBEE Status Level of Contributor | Number of points (90/10 system) | Number of points (80/20 system) |
|------------------------------------|---------------------------------|---------------------------------|
| 1                                  | 10                              | 20                              |
| 2                                  | 9                               | 18                              |
| 3                                  | 6                               | 14                              |
| 4                                  | 5                               | 12                              |
| 5                                  | 4                               | 8                               |
| 6                                  | 3                               | 6                               |
| 7                                  | 2                               | 4                               |
| 8                                  | 1                               | 2                               |
| Non-compliant contributor          | 0                               | 0                               |

## 5. BID DECLARATION

5.1 Bidders who claim points in respect of B-BBEE Status Level of Contribution must complete the following:

## 6. B-BBEE STATUS LEVEL OF CONTRIBUTOR CLAIMED IN TERMS OF PARAGRAPHS 1.4 AND 4.1

6.1 B-BBEE Status Level of Contributor:                    =                    (maximum of 10 or 20 points)  
(Points claimed in respect of paragraph 7.1 must be in accordance with the table reflected in paragraph 4.1 and must be substantiated by relevant proof of B-BBEE status level of contributor.)

## 7. SUB-CONTRACTING

7.1 Will any portion of the contract be sub-contracted?

(*Tick applicable box*)

|     |                          |    |                          |
|-----|--------------------------|----|--------------------------|
| YES | <input type="checkbox"/> | NO | <input type="checkbox"/> |
|-----|--------------------------|----|--------------------------|

7.1.1 If yes, indicate:

- What percentage of the contract will be subcontracted.....%
- The name of the sub-contractor.....
- The B-BBEE status level of the sub-contractor.....
- Whether the sub-contractor is an EME or QSE

(*Tick applicable box*)

|     |                          |    |                          |
|-----|--------------------------|----|--------------------------|
| YES | <input type="checkbox"/> | NO | <input type="checkbox"/> |
|-----|--------------------------|----|--------------------------|

- Specify, by ticking the appropriate box, if subcontracting with an enterprise in terms of Preferential Procurement Regulations, 2017:

| Designated Group: An EME or QSE which is at last 51% owned by:    | EME<br>√ | QSE<br>√ |
|-------------------------------------------------------------------|----------|----------|
| Black people                                                      |          |          |
| Black people who are youth                                        |          |          |
| Black people who are women                                        |          |          |
| Black people with disabilities                                    |          |          |
| Black people living in rural or underdeveloped areas or townships |          |          |
| Cooperative owned by black people                                 |          |          |

|                                        |  |  |
|----------------------------------------|--|--|
| Black people who are military veterans |  |  |
| <b>OR</b>                              |  |  |
| Any EME                                |  |  |
| Any QSE                                |  |  |

8. **DECLARATION WITH REGARD TO COMPANY/FIRM**

8.1 Name \_\_\_\_\_ of  
company/firm:.....

8.2 VAT \_\_\_\_\_ registration  
number:.....

8.3 Company \_\_\_\_\_ registration  
number:.....

8.4 **TYPE OF COMPANY/ FIRM**

- Partnership/Joint Venture / Consortium
- One person business/sole propriety
- Close corporation
- Company
- (Pty) Limited

[TICK APPLICABLE BOX]

8.5 **DESCRIBE PRINCIPAL BUSINESS ACTIVITIES**

.....  
 .....  
 .....  
 .....  
 .....

8.6 **COMPANY CLASSIFICATION**

- Manufacturer
- Supplier
- Professional service provider
- Other service providers, e.g. transporter, etc.

[TICK APPLICABLE BOX]

8.7 **MUNICIPAL INFORMATION**

**Municipality where business is situated:**  
 .....

**Registered Account Number:** .....

**Stand Number:**.....

8.8 Total number of years the company/firm has been in business:.....

8.9 I/we, the undersigned, who is / are duly authorised to do so on behalf of the company/firm, certify that the points claimed, based on the B-BBE status level of contributor indicated in paragraphs 1.4 and 6.1 of the foregoing certificate, qualifies the company/ firm for the preference(s) shown and I / we acknowledge that:

- i) The information furnished is true and correct;
- ii) The preference points claimed are in accordance with the General Conditions as indicated in paragraph 1 of this form;
- iii) In the event of a contract being awarded as a result of points claimed as shown in paragraphs 1.4 and 6.1, the contractor may be required to furnish documentary proof to the satisfaction of the purchaser that the claims are correct;
- iv) If the B-BBEE status level of contributor has been claimed or obtained on a fraudulent basis or any of the conditions of contract have not been fulfilled, the purchaser may, in addition to any other remedy it may have –
  - (a) disqualify the person from the bidding process;
  - (b) recover costs, losses or damages it has incurred or suffered as a result of that person's conduct;
  - (c) cancel the contract and claim any damages which it has suffered as a result of having to make less favourable arrangements due to such cancellation;
  - (d) recommend that the bidder or contractor, its shareholders and directors, or only the shareholders and directors who acted on a fraudulent basis, be restricted by the National Treasury from obtaining business from any organ of state for a period not exceeding 10 years, after the *audi alteram partem* (hear the other side) rule has been applied; and
  - (e) forward the matter for criminal prosecution.

WITNESSES

1. ....

2. ....

.....  
SIGNATURE(S) OF BIDDERS(S)

DATE: .....

ADDRESS .....

.....

.....

## DECLARATION CERTIFICATE FOR LOCAL PRODUCTION AND CONTENT FOR DESIGNATED SECTORS

This Municipal Bidding Document (MBD) must form part of all bids invited. It contains general information and serves as a declaration form for local content (local production and local content are used interchangeably).

Before completing this declaration, bidders must study the General Conditions, Definitions, Directives applicable in respect of Local Content as prescribed in the Preferential Procurement Regulations, 2017, the South African Bureau of Standards (SABS) approved technical specification number SATS 1286:2011 (Edition 1) and the Guidance on the Calculation of Local Content together with the Local Content Declaration Templates [Annex C (Local Content Declaration: Summary Schedule), D (Imported Content Declaration: Supporting Schedule to Annex C) and E (Local Content Declaration: Supporting Schedule to Annex C)].

### 1. General Conditions

- 1.1. Preferential Procurement Regulations, 2017 (Regulation 8) make provision for the promotion of local production and content.
- 1.2. Regulation 8.(2) prescribes that in the case of designated sectors, organs of state must advertise such tenders with the specific bidding condition that only locally produced or manufactured goods, with a stipulated minimum threshold for local production and content will be considered.
- 1.3. Where necessary, for tenders referred to in paragraph 1.2 above, a two stage bidding process may be followed, where the first stage involves a minimum threshold for local production and content and the second stage price and B-BBEE.
- 1.4. A person awarded a contract in relation to a designated sector, may not sub-contract in such a manner that the local production and content of the overall value of the contract is reduced to below the stipulated minimum threshold.
- 1.5. The local content (LC) expressed as a percentage of the bid price must be calculated in accordance with the SABS approved technical specification number SATS 1286: 2011 as follows:

$$LC = [1 - x / y] * 100$$

Where

x is the imported content in Rand

y is the bid price in Rand excluding value added tax (VAT)

Prices referred to in the determination of x must be converted to Rand (ZAR) by using the exchange rate published by South African Reserve Bank (SARB) at 12:00 on the date of advertisement of the bid as indicated in paragraph 4.1 below.

**The SABS approved technical specification number SATS 1286:2011 is accessible on [http://www.thedti.gov.za/industrial\\_development/ip.jsp](http://www.thedti.gov.za/industrial_development/ip.jsp) at no cost.**

1.6. A bid may be disqualified if this Declaration Certificate and the Annex C (Local Content Declaration: Summary Schedule) are not submitted as part of the bid documentation;

**2. The stipulated minimum threshold(s) for local production and content (refer to Annex A of SATS 1286:2011) for this bid is/are as follows:**

| <u>Description of services, works or goods</u> | <u>Stipulated minimum threshold</u> |
|------------------------------------------------|-------------------------------------|
| _____                                          | _____ %                             |
| _____                                          | _____ %                             |
| _____                                          | _____ %                             |

3. Does any portion of the goods or services offered have any imported content?

(Tick applicable box)

|     |                          |    |                          |
|-----|--------------------------|----|--------------------------|
| YES | <input type="checkbox"/> | NO | <input type="checkbox"/> |
|-----|--------------------------|----|--------------------------|

3.1 If yes, the rate(s) of exchange to be used in this bid to calculate the local content as prescribed in paragraph 1.5 of the general conditions must be the rate(s) published by SARB for the specific currency at 12:00 on the date of advertisement of the bid.

The relevant rates of exchange information is accessible on [www.reservebank.co.za](http://www.reservebank.co.za)

Indicate the rate(s) of exchange against the appropriate currency in the table below (refer to Annex A of SATS 1286:2011):

| <b>Currency</b> | <b>Rates of exchange</b> |
|-----------------|--------------------------|
| US Dollar       |                          |
| Pound Sterling  |                          |
| Euro            |                          |
| Yen             |                          |
| Other           |                          |

NB: Bidders must submit proof of the SARB rate (s) of exchange used.

4. Where, after the award of a bid, challenges are experienced in meeting the stipulated minimum threshold for local content the dti must be informed accordingly in order for the dti to verify and in consultation with the AO/AA provide directives in this regard.

**LOCAL CONTENT DECLARATION**  
**(REFER TO ANNEX B OF SATS 1286:2011)**

|                                                                                                                                                                                                                                                                                                   |
|---------------------------------------------------------------------------------------------------------------------------------------------------------------------------------------------------------------------------------------------------------------------------------------------------|
| <p><b>LOCAL CONTENT DECLARATION BY CHIEF FINANCIAL OFFICER OR OTHER LEGALLY RESPONSIBLE PERSON NOMINATED IN WRITING BY THE CHIEF EXECUTIVE OR SENIOR MEMBER/PERSON WITH MANAGEMENT RESPONSIBILITY (CLOSE CORPORATION, PARTNERSHIP OR INDIVIDUAL)</b></p> <p><b>IN RESPECT OF BID NO. ....</b></p> |
|---------------------------------------------------------------------------------------------------------------------------------------------------------------------------------------------------------------------------------------------------------------------------------------------------|

**ISSUED BY:** (Procurement Authority / Name of Institution):

NB

- 1 The obligation to complete, duly sign and submit this declaration cannot be transferred to an external authorized representative, auditor or any other third party acting on behalf of the bidder.
- 2 Guidance on the Calculation of Local Content together with Local Content Declaration Templates (Annex C, D and E) is accessible on <http://www.thdti.gov.za/industrial-development/ip.jsp>. Bidders should first complete Declaration D. After completing Declaration D, bidders should complete Declaration E and then consolidate the information on Declaration C. **Declaration C should be submitted with the bid documentation at the closing date and time of the bid in order to substantiate the declaration made in paragraph (c) below.** Declarations D and E should be kept by the bidders for verification purposes for a period of at least 5 years. The successful bidder is required to continuously update Declarations C, D and E with the actual values for the duration of the contract.

I, the undersigned, ..... (full names),  
do hereby declare, in my capacity as .....  
of .....(name of bidder  
entity), the following:

- (a) The facts contained herein are within my own personal knowledge.
- (b) I have satisfied myself that:
  - (i) the goods/services/works to be delivered in terms of the above-specified bid comply with the minimum local content requirements as specified in the bid, and as measured in terms of SATS 1286:2011; and
- (c) The local content percentage (%) indicated below has been calculated using the formula given in clause 3 of SATS 1286:2011, the rates of exchange indicated in paragraph 4.1 above and the information contained in Declaration D and E which has been consolidated in Declaration C:

|                                                                    |   |
|--------------------------------------------------------------------|---|
| Bid price, excluding VAT (y)                                       | R |
| Imported content (x), as calculated in terms of SATS 1286:2011     | R |
| Stipulated minimum threshold for local content (paragraph 3 above) |   |
| Local content %, as calculated in terms of SATS 1286:2011          |   |

**If the bid is for more than one product, the local content percentages for each product contained in Declaration C shall be used instead of the table above.**

**The local content percentages for each product has been calculated using the formula given in clause 3 of SATS 1286:2011, the rates of exchange indicated in paragraph 4.1 above and the information contained in Declaration D and E.**

- (d) I accept that the Procurement Authority / Institution has the right to request that the local content be verified in terms of the requirements of SATS 1286:2011.
- (e) I understand that the awarding of the bid is dependent on the accuracy of the information furnished in this application. I also understand that the submission of incorrect data, or data that are not verifiable as described in SATS 1286:2011, may result in the Procurement Authority / Institution imposing any or all of the remedies as provided for in Regulation 14 of the Preferential Procurement Regulations, 2017



promulgated under the Preferential Policy Framework Act (PPPFA), 2000 (Act No. 5 of 2000).

**SIGNATURE:** \_\_\_\_\_

**DATE:** \_\_\_\_\_

**WITNESS No. 1** \_\_\_\_\_

**DATE:** \_\_\_\_\_

**WITNESS No. 2** \_\_\_\_\_

**DATE:** \_\_\_\_\_

## DECLARATION OF BIDDER'S PAST SUPPLY CHAIN MANAGEMENT PRACTICES

- 1 This Municipal Bidding Document must form part of all bids invited.
- 2 It serves as a declaration to be used by municipalities and municipal entities in ensuring that when goods and services are being procured, all reasonable steps are taken to combat the abuse of the supply chain management system.
- 3 The bid of any bidder may be rejected if that bidder, or any of its directors have:
  - a. abused the municipality's / municipal entity's supply chain management system or committed any improper conduct in relation to such system;
  - b. been convicted for fraud or corruption during the past five years;
  - c. willfully neglected, reneged on or failed to comply with any government, municipal or other public sector contract during the past five years; or
  - d. been listed in the Register for Tender Defaulters in terms of section 29 of the Prevention and Combating of Corrupt Activities Act (No 12 of 2004).
- 4 **In order to give effect to the above, the following questionnaire must be completed and submitted with the bid.**

| Item  | Question                                                                                                                                                                                                                                                                                                                                                                                                                                                                           | Yes                             | No                             |
|-------|------------------------------------------------------------------------------------------------------------------------------------------------------------------------------------------------------------------------------------------------------------------------------------------------------------------------------------------------------------------------------------------------------------------------------------------------------------------------------------|---------------------------------|--------------------------------|
| 4.1   | Is the bidder or any of its directors listed on the National Treasury's database as a company or person prohibited from doing business with the public sector?<br><b>(Companies or persons who are listed on this database were informed in writing of this restriction by the National Treasury after the <i>audi alteram partem</i> rule was applied).</b>                                                                                                                       | Yes<br><input type="checkbox"/> | No<br><input type="checkbox"/> |
| 4.1.1 | If so, furnish particulars:                                                                                                                                                                                                                                                                                                                                                                                                                                                        |                                 |                                |
| 4.2   | Is the bidder or any of its directors listed on the Register for Tender Defaulters in terms of section 29 of the Prevention and Combating of Corrupt Activities Act (No 12 of 2004)?<br><b>(To access this Register enter the National Treasury's website, <a href="http://www.treasury.gov.za">www.treasury.gov.za</a>, click on the icon "Register for Tender Defaulters" or submit your written request for a hard copy of the Register to facsimile number (012) 3265445).</b> | Yes<br><input type="checkbox"/> | No<br><input type="checkbox"/> |
| 4.2.1 | If so, furnish particulars:                                                                                                                                                                                                                                                                                                                                                                                                                                                        |                                 |                                |
| 4.3   | Was the bidder or any of its directors convicted by a court of law (including a court of law outside the Republic of South Africa) for fraud or corruption during the past five years?                                                                                                                                                                                                                                                                                             | Yes<br><input type="checkbox"/> | No<br><input type="checkbox"/> |
| 4.3.1 | If so, furnish particulars:                                                                                                                                                                                                                                                                                                                                                                                                                                                        |                                 |                                |

| Item  | Question                                                                                                                                                                                                                               | Yes                             | No                             |
|-------|----------------------------------------------------------------------------------------------------------------------------------------------------------------------------------------------------------------------------------------|---------------------------------|--------------------------------|
| 4.4   | Does the bidder or any of its directors owe any municipal rates and taxes or municipal charges to the municipality / municipal entity, or to any other municipality / municipal entity, that is in arrears for more than three months? | Yes<br><input type="checkbox"/> | No<br><input type="checkbox"/> |
| 4.4.1 | If so, furnish particulars:                                                                                                                                                                                                            |                                 |                                |
| 4.5   | Was any contract between the bidder and the municipality / municipal entity or any other organ of state terminated during the past five years on account of failure to perform on or comply with the contract?                         | Yes<br><input type="checkbox"/> | No<br><input type="checkbox"/> |
| 4.7.1 | If so, furnish particulars:                                                                                                                                                                                                            |                                 |                                |

**CERTIFICATION**

**I, THE UNDERSIGNED (FULL NAME) .....**  
**CERTIFY THAT THE INFORMATION FURNISHED ON THIS**  
**DECLARATION FORM TRUE AND CORRECT.**

**I ACCEPT THAT, IN ADDITION TO CANCELLATION OF A CONTRACT,**  
**ACTION MAY BE TAKEN AGAINST ME SHOULD THIS DECLARATION**  
**PROVE TO BE FALSE.**

.....  
**Signature**

.....  
**Date**

.....  
**Position**

.....  
**Name of Bidder**

**CERTIFICATE OF INDEPENDENT BID DETERMINATION**

- 1 This Municipal Bidding Document (MBD) must form part of all bids<sup>1</sup> invited.
  
- 2 Section 4 (1) (b) (iii) of the Competition Act No. 89 of 1998, as amended, prohibits an agreement between, or concerted practice by, firms, or a decision by an association of firms, if it is between parties in a horizontal relationship and if it involves collusive bidding (or bid rigging).<sup>2</sup> Collusive bidding is a *pe se* prohibition meaning that it cannot be justified under any grounds.
  
- 3 Municipal Supply Regulation 38 (1) prescribes that a supply chain management policy must provide measures for the combating of abuse of the supply chain management system, and must enable the accounting officer, among others, to:
  - a. take all reasonable steps to prevent such abuse;
  - b. reject the bid of any bidder if that bidder or any of its directors has abused the supply chain management system of the municipality or municipal entity or has committed any improper conduct in relation to such system; and
  - c. cancel a contract awarded to a person if the person committed any corrupt or fraudulent act during the bidding process or the execution of the contract.
  
- 4 This MBD serves as a certificate of declaration that would be used by institutions to ensure that, when bids are considered, reasonable steps are taken to prevent any form of bid-rigging.
  
- 5 In order to give effect to the above, the attached Certificate of Bid Determination (MBD 9) must be completed and submitted with the bid:

<sup>1</sup> Includes price quotations, advertised competitive bids, limited bids and proposals.

<sup>2</sup> Bid rigging (or collusive bidding) occurs when businesses, that would otherwise be expected to compete, secretly conspire to raise prices or lower the quality of goods and / or services for purchasers who wish to acquire goods and / or services through a bidding process. Bid rigging is, therefore, an agreement between competitors not to compete.

**CERTIFICATE OF INDEPENDENT BID DETERMINATION**

I, the undersigned, in submitting the accompanying bid:

(Bid Number and Description)

in response to the invitation for the bid made by:

Prince Albert Municipality  
(Name of Municipality / Municipal Entity)

do hereby make the following statements that I certify to be true and complete in every respect:

I certify, on behalf of: \_\_\_\_\_ that:

(Name of Bidder)

1. I have read and I understand the contents of this Certificate;
2. I understand that the accompanying bid will be disqualified if this Certificate is found not to be true and complete in every respect;
3. I am authorized by the bidder to sign this Certificate, and to submit the accompanying bid, on behalf of the bidder;
4. Each person whose signature appears on the accompanying bid has been authorized by the bidder to determine the terms of, and to sign, the bid, on behalf of the bidder;
5. For the purposes of this Certificate and the accompanying bid, I understand that the word "competitor" shall include any individual or organization, other than the bidder, whether or not affiliated with the bidder, who:
  - (a) has been requested to submit a bid in response to this bid invitation;
  - (b) could potentially submit a bid in response to this bid invitation, based on their qualifications, abilities or experience; and
  - (c) provides the same goods and services as the bidder and/or is in the same line of business as the bidder

6. The bidder has arrived at the accompanying bid independently from, and without consultation, communication, agreement or arrangement with any competitor. However communication between partners in a joint venture or consortium<sup>3</sup> will not be construed as collusive bidding.
7. In particular, without limiting the generality of paragraphs 6 above, there has been no consultation, communication, agreement or arrangement with any competitor regarding:
  - (a) prices;
  - (b) geographical area where product or service will be rendered (market allocation)
  - (c) methods, factors or formulas used to calculate prices;
  - (d) the intention or decision to submit or not to submit, a bid;
  - (e) the submission of a bid which does not meet the specifications and conditions of the bid; or
  - (f) bidding with the intention not to win the bid.
8. In addition, there have been no consultations, communications, agreements or arrangements with any competitor regarding the quality, quantity, specifications and conditions or delivery particulars of the products or services to which this bid invitation relates.
9. The terms of the accompanying bid have not been, and will not be, disclosed by the bidder, directly or indirectly, to any competitor, prior to the date and time of the official bid opening or of the awarding of the contract.

<sup>3</sup> Joint venture or Consortium means an association of persons for the purpose of combining their expertise, property, capital, efforts, skill and knowledge in an activity for the execution of a contract.

10. I am aware that, in addition and without prejudice to any other remedy provided to combat any restrictive practices related to bids and contracts, bids that are suspicious will be reported to the Competition Commission for investigation and possible imposition of administrative penalties in terms of section 59 of the Competition Act No 89 of 1998 and or may be reported to the National Prosecuting Authority (NPA) for criminal investigation and or may be restricted from conducting business with the public sector for a period not exceeding ten (10) years in terms of the Prevention and Combating of Corrupt Activities Act No 12 of 2004 or any other applicable legislation.

.....  
Signature

.....  
Date

.....  
Position

.....  
Name of Bidder